



25cd Low-intensity Obstruction Light - Photocell and Flasher 10-60V_{DC}

Defence Infrastructure Organisation - Ministry of Defence

CEL-LI-25-DCW-PCFL - LED Aircraft Warning Light

Key Features

- Based on LED technology
- Extermely reliable long lifetime
- Suitable for off-shore use
- Very low power consumption
- 10-60V_{DC} input voltage
- Stabilised light output
- Lightweight and small - low wind load factor
- Easy to install, several mounting sets available
- Two cable glands, easy to chain without external junction boxes
- No RF-radiations
- Five (5) year warranty

Benefits

- Long maintenance intervals
- Low energy cost
- Supply voltage variations do not effect light output
- Very low total lifetime costs
- Low wind load

Specifications met

- Satisfies Ministry of Defence minimum vertical obstruction lighting criteria
- Recommended Standards and Practices
- Defence Estates UK-

Optical characteristics

- Intensity better than 25cd
- Colour aviation red
- Horizontal radiation pattern 360°
- Vertical radiation pattern 15°
- LED supply current stabilised by constant current generator
- Light output degradation less than 30% after 100,000hrs of operation

Electrical characteristics

- Input voltage range 10-60V_{DC}
- Power consumption less than 2.5W
- Current consumption when light is OFF: 2mA
- Over voltage protection

Mechanical characteristics

- Anodised marine grade aluminium body and end parts
- AISI 316 acid proof steel screws
- Colourless (clear) glass cover
- Terminal box for 1.5-6mm² wires
- Degree of protection IP 65
- Operating temperature range -55°C to +75°C
- Height 210mm, diameter 104mm, weight 1.1kg
- Wind load with CEL-MS-EV60 mounting: kit@ 200km/h less than 40N

Options

- Mounting kits
- Without Photocell & flasher: Ref CEL-LI-25-DCW-F data sheet

Order Code: **CEL-LI-25-DCW-PCFL**



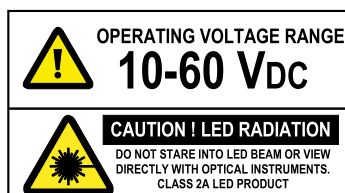
CEL-LI-25-DCW-PCFL LED obstacle light

Photocell characteristics

- Turn on delay 1s
- Turn off delay 200s
- User selectable photocell sensitivity (bold = factory default)
OFF/200 lux/400 lux/ **800 lux**

Flash controller characteristics

- User selectable flashing rate (bold = factory default)
Steady burning/ 20 fpm/ 40 fpm/ 60 fpm
- 250ms flash duration



T: +44 (0)20 8540 1034
F: +44 (0)20 8543 3058
E: info@contarnex.com

Contarnex Europe Limited
252 Martin Way,
Morden, Surrey SM4 4AW
United Kingdom



25cd Low-intensity Obstruction Light - Photocell and Flasher 10-60Vdc

Defence Infrastructure Organisation - Ministry of Defence

CEL-LI-25-DCW-PCFL - LED Aircraft Warning Light

ELECTRICAL INSTALLATION INSTRUCTIONS

CEL-LI-25-DCW-PCFL have two cable glands for easy chaining without external distribution boxes

CEL-LI-25-DCW-PCFL is an obstacle light utilising LED technology. The cabling and installation principles are similar to those of conventional obstacle lights.

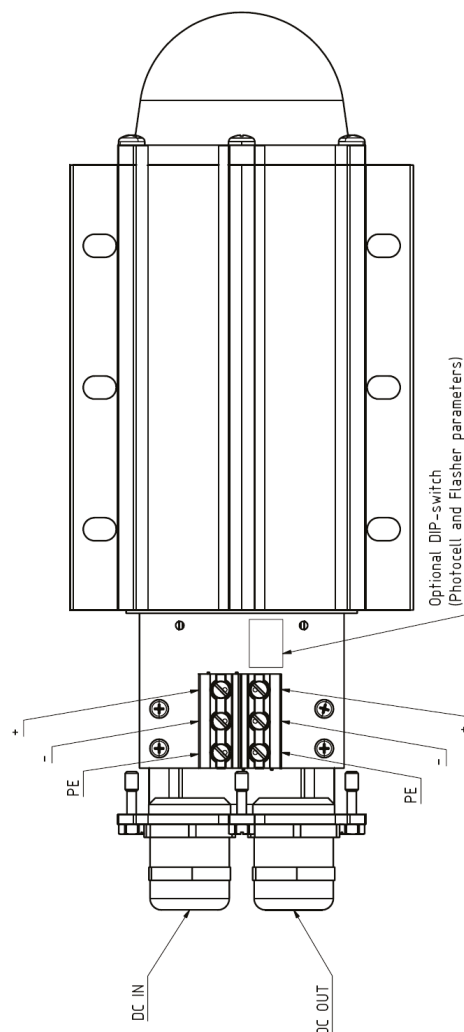
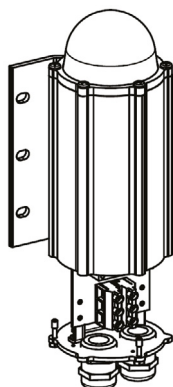
Connection can be protected with a 6A or 10A fuse or with a circuit breaker (C curve).

Installation specifications

- Cable gland: M25
- Cable diameter: 11 to 17mm
- Wire diameter: max. 6mm²
- Recommended cable: 3x1.5mm² or 3x2.5mm²

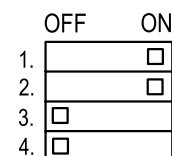
Options

- **CGS-20:** Smaller cable glands
Set include 2 pcs M20 gable glands with M25-M20 adapters for 7-13mm cables

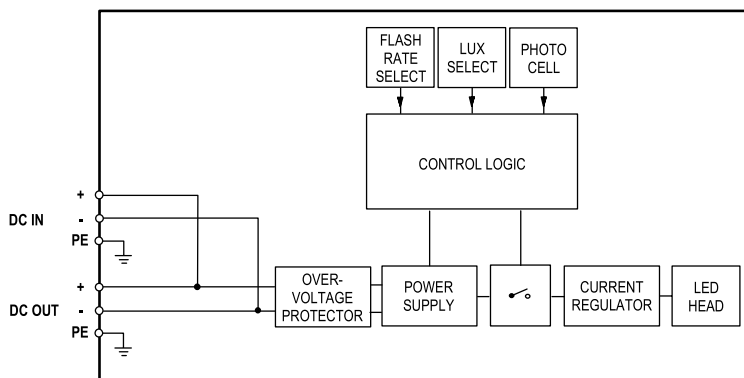


PCFL DIP switches

DIP1	DIP2	PHOTOCELL	DIP3	DIP4	FLASH RATE - flash duration 250ms
OFF	OFF	OFF (light always ON)	OFF	OFF	STEADY BURNING
ON	OFF	200 lux	ON	OFF	20 fpm
OFF	ON	400 lux	OFF	ON	40 fpm
ON	ON	800 lux	ON	ON	60 fpm



Default DIP settings:
800 lux, steady burning



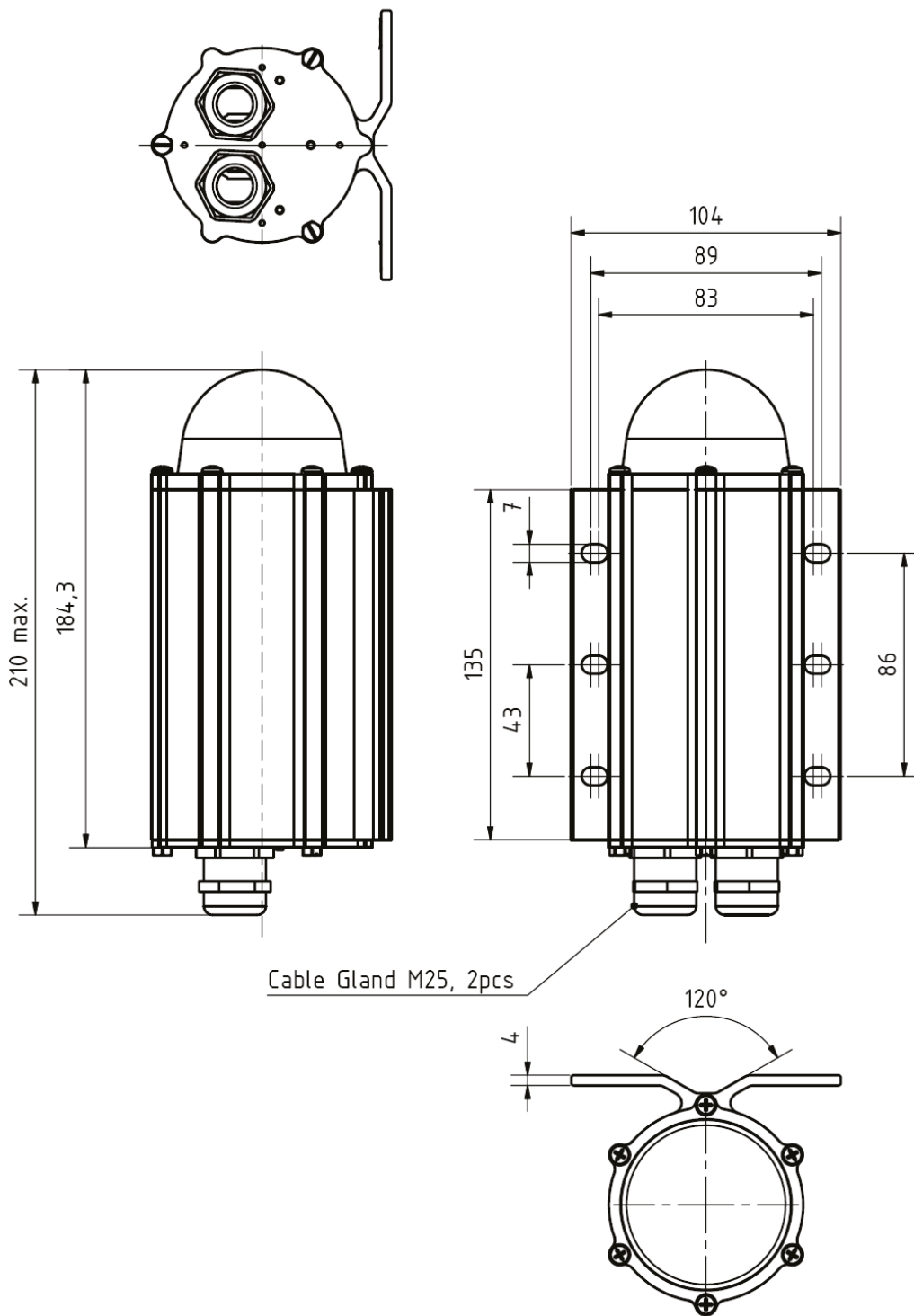
CEL-LI-25-DCW-PCFL block diagram

25cd Low-intensity Obstruction Light - Photocell and Flasher 10-60VDC

Defence Infrastructure Organisation - Ministry of Defence

CEL-LI-25-DCW-PCFL - LED Aircraft Warning Light

Mechanical dimensions



25cd Low-intensity Obstruction Light - Photocell and Flasher 10-60VDC

Defence Infrastructure Organisation - Ministry of Defence

CEL-LI-25-DCW-PCFL - LED Aircraft Warning Light

There are several typcs of mounting sets available as option:

CEL-MS-HV80

Mounting set for 33-80mm vertical or horizontal pipe

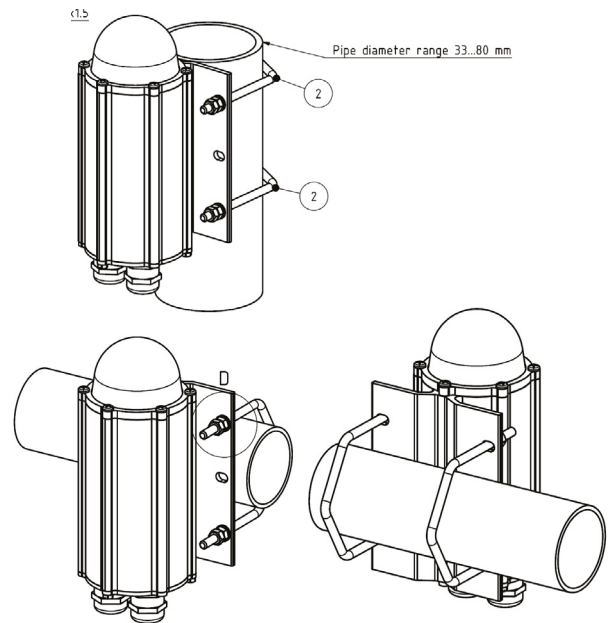
Mounting set includes:

- 2 pcs M6 U-bolt
- 8 pcs M6 hex nut
- 4 pcs 6/12mm washer

All parts AISI 316 acid proof steel

More detailed mechanical data: CEL-MS-HV80 datasheet

Order Code: **CEL-MS-HV80**



CEL-MS-EV60

Mounting set with extension plate for 30-60mm vertical pipe installation

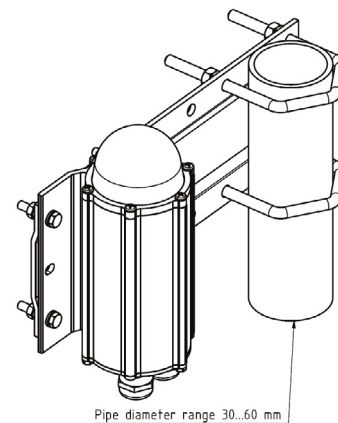
Mounting set include:

- 2 pcs M8 U-bolt, 8 pcs M8 hex nut
- 4 pcs M6x30 bolt, 8 pcs M6 hex nut, 4 pcs 6/12 washer
- 1 pcs extension plate

Extension plate marine grade anodised aluminium, other parts AISI 316 acid proof steel

More detailed mechanical data: CEL-MS-EV60 datasheet

Order Code: **CEL-MS-EV60**



CEL-MS-EV100:

Mounting set with extension plate for 60-100mm vertical pipe installation

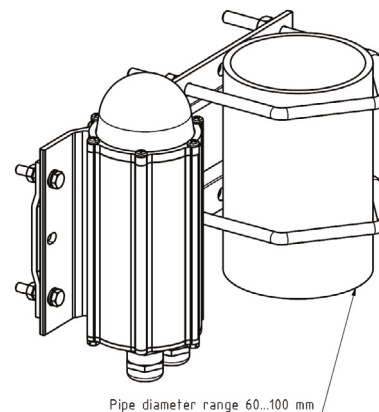
Mounting set include:

- 2 pcs M8 U-bolt, 8 pcs M8 hex nut
- 4 pcs M6x30 bolt, 8 pcs M6 hex nut, 4 pcs 6/12 washer
- 1 pcs extension plate

Extension plate marine grade anodised aluminium, other parts AISI 316 acid proof steel

More detailed mechanical data: CEL-MS-EV100 datasheet

Order Code: **CEL-MS-EV100**



25cd Low-intensity Obstruction Light - Photocell and Flasher 10-60Vdc

Defence Infrastructure Organisation - Ministry of Defence

CEL-LI-25-DCW-PCFL - LED Aircraft Warning Light

CEL-MS-EV150:

Mounting set with extension plate for 100-150 mm vertical pipe installation

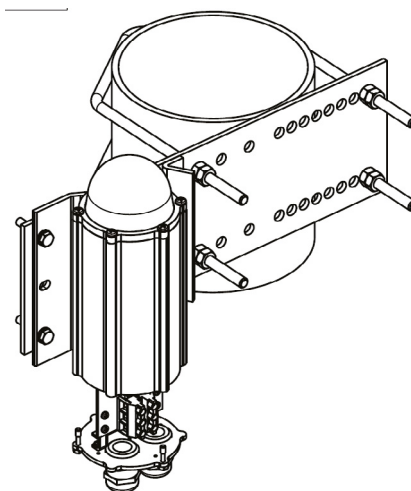
Mounting set includes:

- 2 pcs M8 U-bolt, 8 pcs M8 hex nut
- 4 pcs M6x30 bolt, 8 pcs M6 hex nut, 4 pcs 6/12 washer
- 1 pcs extension plate

Extension plate hot dipped galvanised steel, other parts AISI 316 acid proof steel

More detailed mechanical data: CEL-MS-EV150 datasheet

Order Code: **CEL-MS-EV150**



CEL-MS-DV60:

Double mounting set with extension plate for 30-60 mm vertical pipe installation

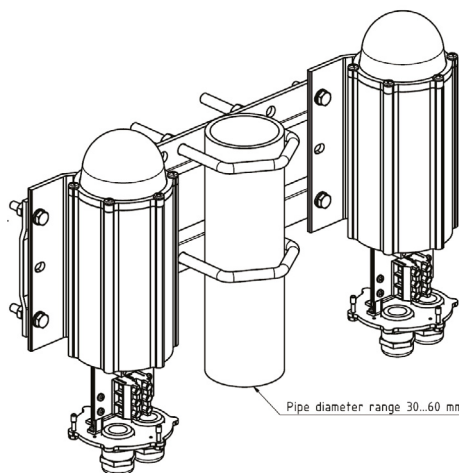
Mounting set includes:

- 2 pcs M8 U-bolt, 8 pcs M8 hex nut
- 8 pcs M6x30 bolt, 16 pcs M6 hex nut, 8 pcs 6/12 washer
- 1 pcs extension plate

Extension marine grade anodised aluminium, other parts AISI 316 acid proof steel

More detailed mechanical data: CEL-MS-DV60 datasheet

Order Code: **CEL-MS-DV60**



CEL-MS-DV100:

Double mounting set with extension plate for 60-100mm vertical pipe installation

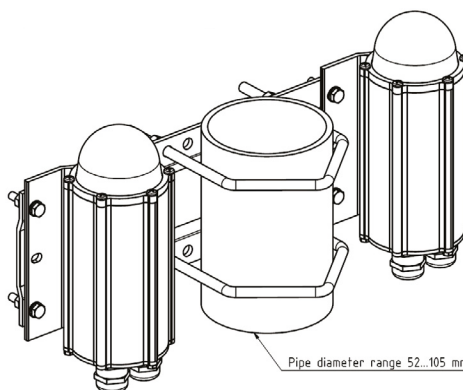
Mounting set includes:

- 2 pcs M8 U-bolt, 8 pcs M8 hex nut
- 8 pcs M6x30 bolt, 16 pcs M6 hex nut, 8 pcs 6/12 washer
- 1 pcs extension plate

Extension marine grade anodised aluminium, other parts AISI 316 acid proof steel

More detailed mechanical data: CEL-MS-DV100 data sheet

Order Code: **CEL-MS-DV100**



25cd Low-intensity Obstruction Light - Photocell and Flasher 10-60VDC

Defence Infrastructure Organisation - Ministry of Defence

CEL-LI-25-DCW-PCFL - LED Aircraft Warning Light

CEL-MS-RW

Mounting set for horizontal plate or wall installation

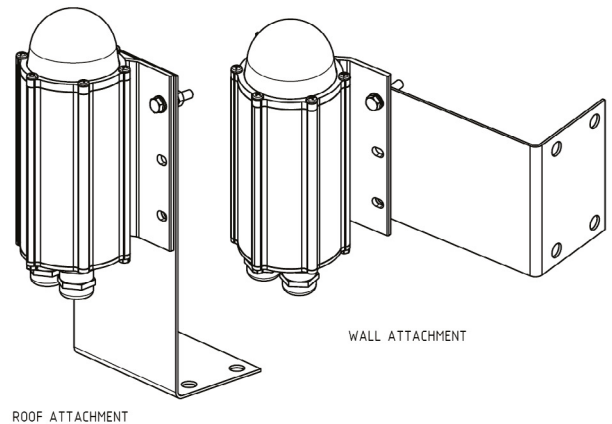
Mounting set includes:

- 4 pcs M6x30 bolt, 8 pcs M6 hex nut, 4 pcs 6/12 washer
- 1 pcs L -shape 2 mm plate

All parts AISI 316 acid proof steel

More detailed mechanical data: CEL-MS-RW datasheet

Order Code: **CEL-MS-RW**



CEL-MS-LVU

Mounting set for L and V -shape profiles

Mounting set includes

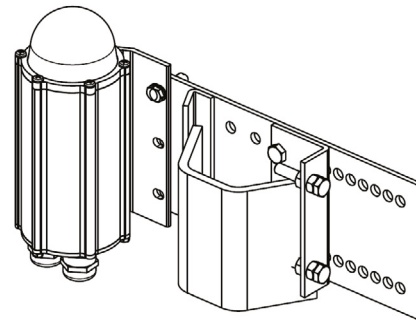
- 1 set accessories for light unit fitting to plate
- 1 pcs extension plate with adjusting plate and accessories

Extension plate hot dip galvanised steel, other parts

AISI 316 acid proof steel

More detailed mechanical data: CEL-MS-LVU datasheet

Order Code: **CEL-MS-LVU**



CEL-MS-N1B

Mounting set for 1" NPT at bottom

More detailed mechanical dimensions: CEL-MS-N1 B dataheet

Order Code: **CEL-MS-N1 B**

